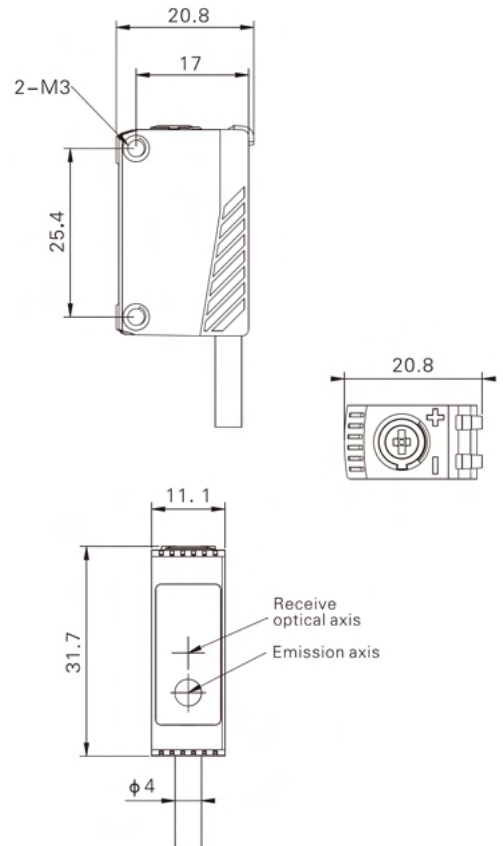


## ZX-PE0040N (NPN)

## ZX-PE0040P (PNP)



### DIMENSION



### BASIC FEATURES

Working Principle	Photoelectric Sensor
Housing Style	Square
Optical Working Principle	Background suppression diffuse reflection
Detection Range	20 – 400 mm
Light Source	Red laser, 650 nm ( modulated )
Spot Size	about $\phi$ 1.5 mm / 400 mm
Detected Object	$\phi$ 0.5 mm
Indicator Light	Operating indicator light : green Output indicator light : red
Sensitivity Adjustment	6-turn potentiometer

### ELECTRICAL DATA

Switching Mode	L.on ( light-on action ) / D.on ( dark-on action ) switchable
Output mode	NPN or PNP collector open
Response Time	$\leq$ 1.2 ms
Hysteresis	$\leq$ 5%
Operating Voltage	10 – 30VDC $\pm$ 10%
Current Consumption	$\leq$ 20 mA
Residual Voltage	$<$ 1.5 V
Load Current	100 mA
Insulation Resistance	$\geq$ 20 M $\Omega$ ( 250V DC )
Withstand Voltage	1000 VAC ( 50 / 60Hz )
Protection circuit	Reverse polarity protection / Short-circuit protection

### ENVIRONMENTAL CONDITIONS

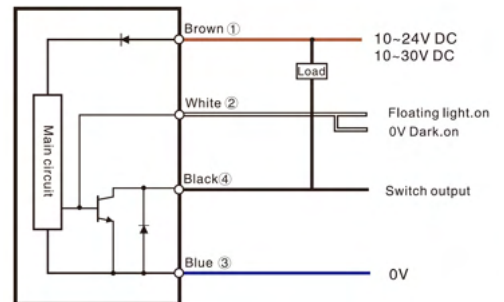
Operating Temperature	-10 ~ 50°C ( no freezing )
Storage Temperature	-30°C ~ 70°C ( no freezing )
Operating Humidity	35% ~ 85% RH ( non-condensation )
Storage Humidity	35% ~ 95% RH ( non-condensation )
Ambient Light	Incandescent light $\leq$ 1000 Lux; LED light $\leq$ 600 Lux; Sunlight $\leq$ 20000 Lux
Vibration Resistance	10 ~ 55 Hz, amplitude 1.5 mm, 2 hours each in X/Y/Z axes
Protection Rating	IP65

### MECHANICAL DATA

Maximum Tightening Torque	$\leq$ 0.5Nm
Connection Method	2 m / 4-core cable
Dimensions	11.1 x 31.7 x 20.8 mm
Material	PBT+ glass fiber ( housing ); PMMA ( lens )
Weight	about 68g

### CIRCUIT DIAGRAM

#### NPN Output



#### PNP Output

